

ProGem

LED Area Light

Wet Rated, 170 lm/W, Dimmable + Smart



SMARTSOURCE LED

LUMINAIRE

Project:
Date:
Catalog No:
Prepared By:

FEATURES

Lumen Output	17000 to 51000 lumens
Efficacy	170 lm/W
Input Voltage	120-277V, or 277-480V
Dimmable	0-10V Continuous
CCT	5000K
Rating	Wet Location
Warranty	5 Years

APPLICATIONS

Premium outdoor luminaire suitable for parking areas, auto dealerships, industrial yards, building exteriors, roadways, alleys, and pedestrian walkways.

CONSTRUCTION

Manufactured for weather-proof durability using solid heavy duty die cast aluminum housing with anti-UV polyester coating to resist water, salt, corrosion, discoloration, and scratching. Wet Location rated. Impact Protection IK10, Neutral Salt Spray Rating Grade 9, Vibration Acceleration Rating 3g.

ELECTRICAL

Input voltages 120-277V or 277-480V models with 0-10V Continuous Dimming. Operating temperatures -4°F to 122°F (-20°C to 50°C). Surge Protection Rating 3kV-6.6kV: L-N, 5kV-10kV.

MOUNTING

Adjustable options include Slip-Fit, Round /Square Pole, and Trunnion Mounts.

OPTICS

Anti-UV Clear Polycarbonate IES /NEMA Type 3 Lens standard. Lens Type 2, Type 4, Type 5, and Glare Shield available.

CONTROLS

Fixture integrated Shorting Cap, Photocell, or Microwave Sensor with Daylight Priority available. Remote Control available.

LISTINGS

DLC Premium listed. UL certified to meet US and Canadian standards. FCC and RoHS compliant.

WARRANTY

5 year exclusive limited warranty.

100W to 300W Models



Slip-Fit Mount



Trunnion Mount



Square/ Round Pole Mount



Smart Sensor



Remote Control



LCD Remote Control



CORRELATED COLOR TEMPERATURE (CCT)

5000K



SPECIFICATIONS

ENERGY DATA

Input Voltage: 120-277V
Input Frequency: 50/60 Hz
Wattage: 100W, 150W, 300W
Power Factor: >0.9
Total Harmonic Distortion (THD): <15%
Operating Temperature: -4°F to 122°F (-20°C to 50°C)

LIGHTING DATA

Lumens: 17000 to 51000
Lumens Per Watt: 170 lm/W
Correlated Color Temperature (CCT): 5000K
Dimmable: 0-10V
Color Rendering Index (CRI): >70
L70: 75000 hours

ORDERING INFORMATION

Model	Wattage	Voltage	Current	Lumens	Efficacy	CCT	Dimming	Color	Dimensions
SSL-A02-100W-HY-5000K	100W	120-277V	0.92A@120V, 0.40A@277V	17000	170 lm/W	5000K	0-10V	Bronze	13.14"L x 12.40"W x 2.55"H
SSL-A09-300W-HY-5000K	300W	120-277V	2.75A@120V, 1.19A@277V	51000	170 lm/W	5000K	0-10V	Bronze	22.79"L x 12.40"W x 2.55"H
SSL-A01-100W-HY-HV-5000K	100W	277-480V	0.40A@277V, 0.23A@480V	17000	170 lm/W	5000K	0-10V	Bronze	13.14"L x 12.40"W x 2.55"H
SSL-A03-150W-HY-HV-5000K	150W	277-480V	0.60A@277V, 0.34A@480V	25500	170 lm/W	5000K	0-10V	Bronze	17.91"L x 12.40"W x 2.55"H
SSL-A08-300W-HY-HV-5000K	300W	277-480V	1.19A@277V, 0.69A@480V	51000	170 lm/W	5000K	0-10V	Bronze	22.79"L x 12.40"W x 2.55"H

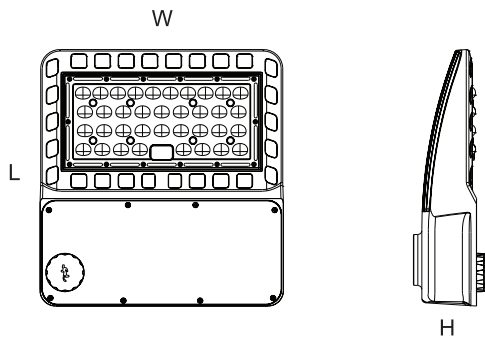
Optics		Mount		Control	
T2	Type II Lens	A0-SF	Slip-Fit Mount	HDPC	Photocell Sensor Cap
T4	Type IV Lens	A0-PM	Square or Round Adjustable Pole Mount	HD06VCRH 3	Microwave Sensor Cap with Daylight Priority
T5	Type V Lens	A0-TR	Trunnion Mount	HD03R	Remote Control for Smart Sensor Settings
A0-GS	Glare Shield			HD05R	Remote Control for Smart Sensor Settings w/ LCD
(Blank)	Type III Lens (Standard)			(Blank)	None, Shorting Cap



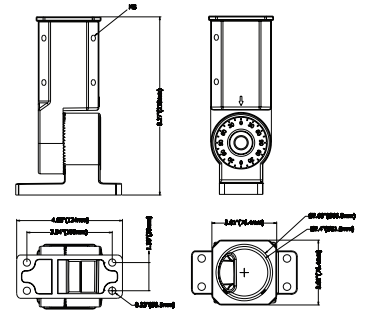
PHYSICAL DIMENSIONS

100W Model

13.14"L x 12.40"W x 2.55"H

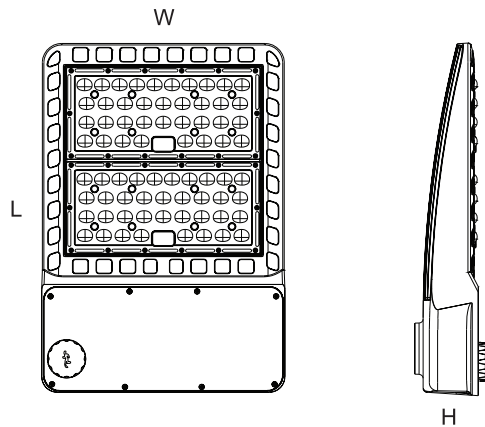


Slip-Fit Mount

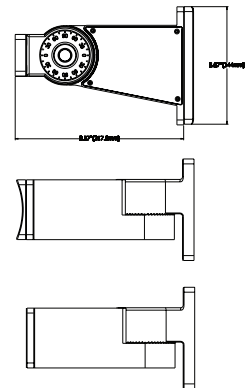


150W Model

17.91"L x 12.40"W x 2.55"H

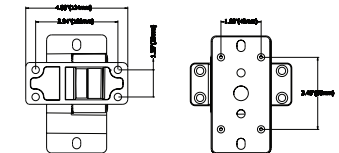
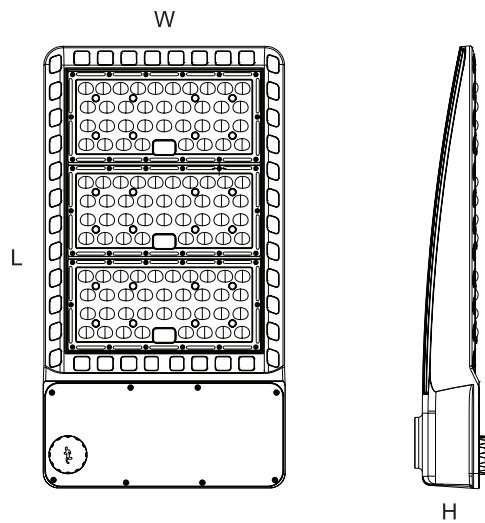


Round/Square Pole Mount



300W Model

22.79"L x 12.40"W x 2.55"H



Trunnion Mount

